

MOK 2.7

Ergonomically shaped ABS enclosure with matt surface finish and a recessed area for keypad membrane or display. Base and cover have integral mounting studs for PCB. The bottom is manufactured by transparent Bayblend® and it is suitable for fixing on a 2 / 6-module standard enclosure 503. Snap-on closing.



ABS

Part No.	Description, dimensions A x B x C (LxWxH)
MOK 2.7	ABS enclosure 165x102x15mm white

Part No.	Ord.No.
S MOK 2.7	68666

MINI TEKMAR WALL Series

- Modern mini enclosures in ABS (UL 94 HB)
- Designed for easy wall/cabinet mounting
- Top recessed for fitting a membrane keypad
- **Version MTK-F** - with flat top panel
- **Version MTK-S** - with sloping top panel
- Flat transparent base/wall mounting plate with central cable access aperture, and a series of holes for wall mounting
- Top part clips on to base plate
- Internal PCB mounting pillars
- Color: white RAL 9002



ABS

Part No.	Description, dimensions A x B x C (LxWxH)
MTK-F.7	ABS enclosure 130x100x17mm
MTK-S.7	ABS enclosure, desk 130x100x12(33)mm

Part No.	Ord.No.
S MTK-F.7	68667
S MTK-S.7	68668

TEKO Aluminium Enclosures

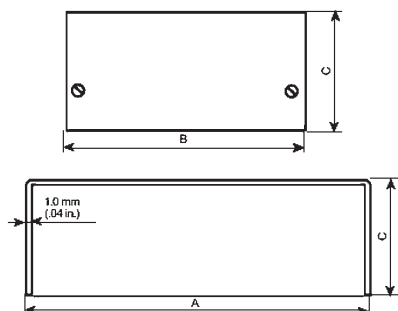


AL BOX Series

- Simple folded boxes in aluminum
- Easy to assemble with four screws
- Ideal for very low cost applications
- Color: metalised silver RAL 9006



AL



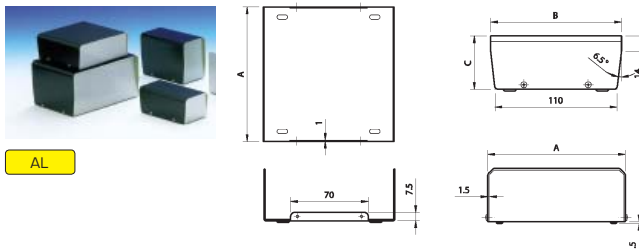
Part No.	Description, dimensions A x B x C (LxWxH)
3/B.1 AL BOX	AL enclosure 103x72x43mm silver
4/B.1 AL BOX	AL enclosure 143x72x43mm silver

Part No.	Ord.No.
S 3/B.1 AL BOX	41599
S 4/B.1 AL BOX	41600

CH-BC Series



- Simple folded boxes in aluminum
- Hooded top cover
- Easy to assemble with four screws
- Ideal for very low cost applications
- Color: black RAL 9006 & metalised silver RAL 9006



AL

Part No.	Description, dimensions A x B x C (LxWxH)
CH/2.18	AL enclosure 124x118x48mm black/silver
CH/3.18	AL enclosure 163x118x48mm black/silver

Part No.	Ord.No.
O CH/2.18	41506
O CH/3.18	41451

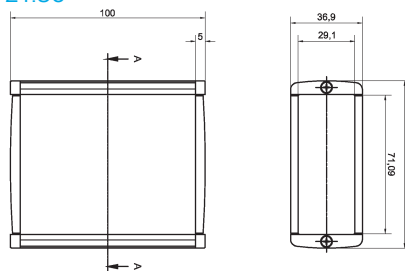
TEKAL Series



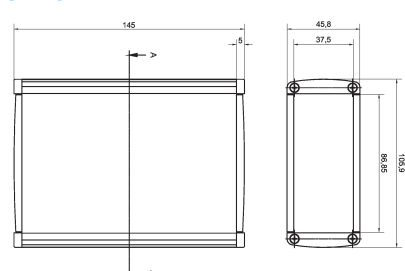
- Extruded aluminum enclosures with high quality painted finish
- Ideal for hand-held instruments
- Supplied with two ABS end panels
- **TEKAL 21.30** - with flat end panels
- **TEKAL 32.29** - end panels with wall mounting ears Internal guides rails for PCBs



TEKAL 21.30



TEKAL 32.29



Part No.	Description, dimensions A x B x C (LxWxH)
TEKAL 21.30	AL enclosure / ABS panels 100x86x37mm light grey/white
TEKAL 32.29	AL enclosure/ABS panel 145x106x46mm black/dark grey

Part No.	Ord.No.
O TEKAL 21.30	50772
O TEKAL 32.29	50773